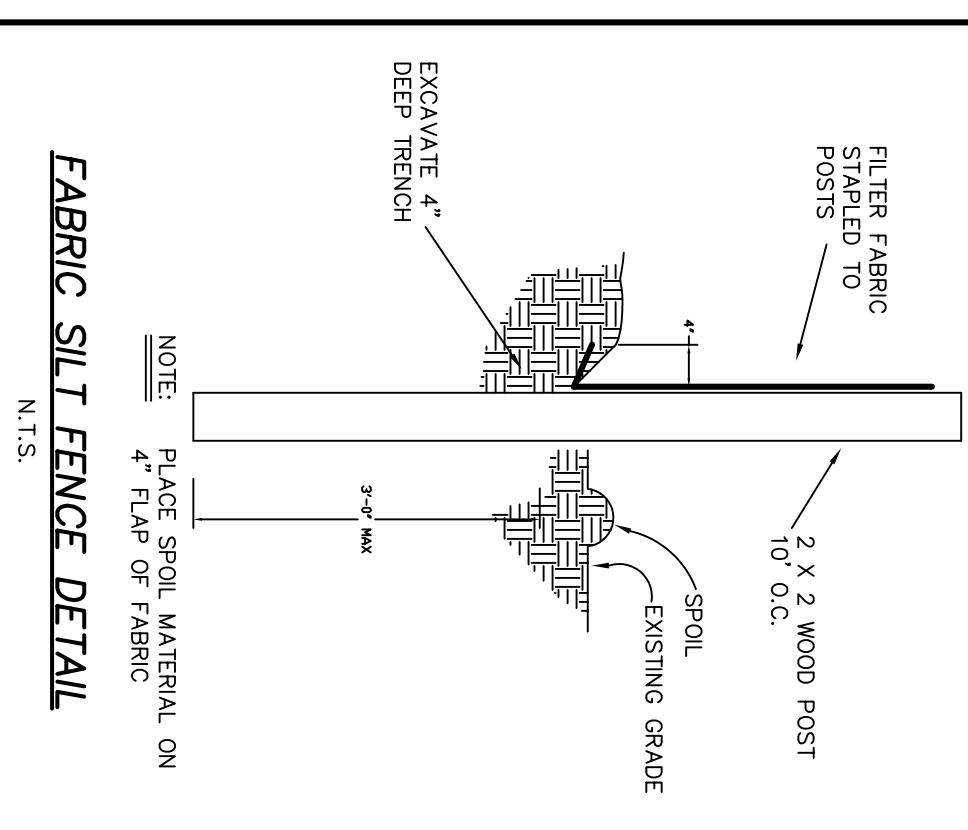
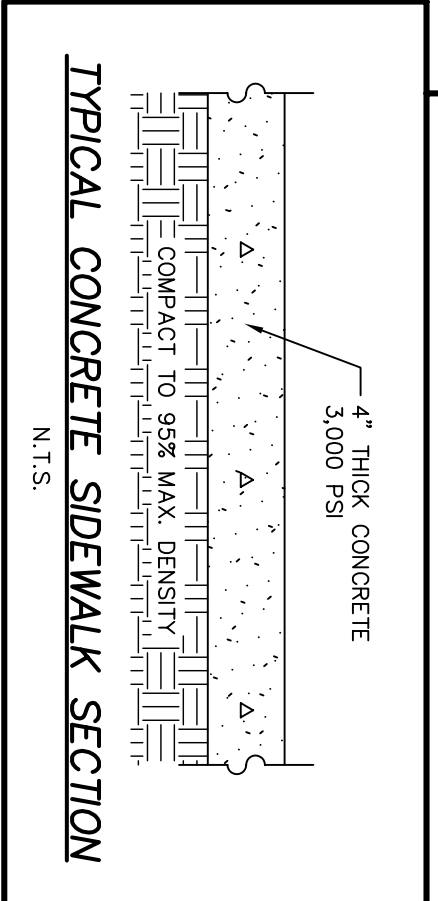


**PROPOSED PHASE 2
RECREATION AREA
(TRACT X1)**
PLAY BOOK 7
PAGE 43
AREA = 1.02 AC.
IMP. AREA = 2%



SEAL & SIGNATURE:

DRAWING NO. 3 OF 5
JOB NO. 1409
FILE: 1409

**GEOMETRY, GRADING
AND UTILITY PLAN OF
HERON ISLES RECREATION PHASE 2
FOR
MATOVINA & COMPANY**

NO.	REVISION	BY	DATE
1	REVISED PER NASSAU COUNTY REVIEW	DAD	9/10/14

VERSION: ACAD 14
DRAWN BY: DAD
DESIGNED BY: DAD
APPROVED BY: JML
DATE: JUNE 2014

J. LUCAS & ASSOCIATES, INC.
CONSULTING AND DESIGN ENGINEERS
CERTIFICATE OF AUTHORIZATION NO. 3981
1305 CEDAR STREET - JACKSONVILLE, FL 32207
PH (904) 396-3060 FAX (904) 396-3456